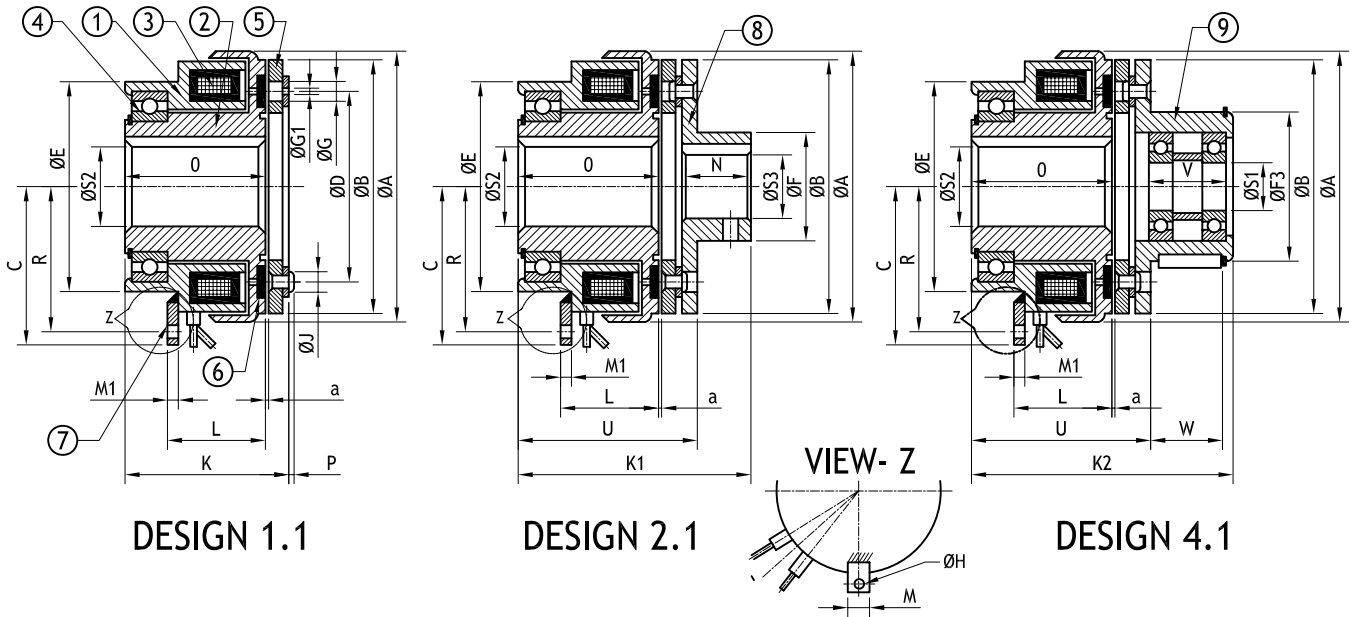


# STATIONARY COIL BEARING MOUNTED CLUTCH



DESIGN 1.1

DESIGN 2.1

DESIGN 4.1

MODEL :	P 63	P 80	P 100	P 125	P 160	P 200	P 250	P 280
TORQUE (NM)	7	14	28	55	110	220	440	850
MAX. SPEED (RPM)	7500	6500	5500	4500	3500	3000	2000	1500
INPUT POWER (W) AT 20° C CLUTCH	16	21	28	36	51	69	85	100
Ø A	68	85.5	107	134.5	170	214.5	266.5	290
Ø B	63	80	100	125	160	200	250	280
C	41	50	61	76	99	119	145	175
Ø D	46	60	76	95	120	158	210	220
Ø E	64	68	85	100	127	152.5	200	165
Ø F	28	33	43	50	66	84	106	90
Ø F3 k6	38	45	55	64	75	90	115	150
Ø G	6.3	8	10.5	12	15	18	22	22
Ø G 1	3 x 3.1	3 x 4.1	3 x 5.1	3 x 6.1	3 x 8.2	3 x 10.2	4 x 12.2	4 X 12.2
Ø H	4.1	4.1	4.1	4.1	8.1	8.1	8.1	8.1
Ø J	3 x 5.5	3 x 7	3 x 9	3 x 10	3 x 13	3 x 16	4 x 20	4 X 25
K	44	48	54.9	62	70.5	85.4	93.9	110
K 1	59	68	80	92	108.5	133.5	149	158
K 2	67	77	90	108	127.5	155.4	175	200
L	27.5	29.8	35.3	39	46.2	52.6	59.7	72
M	10	10	10	10	20	20	20	22
M 1	3	3	5	5	8	8	8	8
N	15	20	25	30	38	48	55	58
O	40	43.5	49	55	61.5	74	81	86.5
P	1.6	1.8	2.4	2.8	3.2	4	4.3	5
R	37	46	57	71	93	113	139	159
T	22	30.5	37.9	50	63	78.4	88.9	98.9
U	47.5	52	60	68	77.5	94.5	105	127
V	20	23.5	30.5	42	54	64	76	85
W	17	22	26.5	36.5	44.5	53.5	64	74
a	0.2	0.2	0.2	0.3	0.3	0.5	0.5	0.5
b	5	6	6	10	10	15	20	20
Ø S 1	12	15	20	25	30	40	45	50
MAX. BORE Ø S2 H7	20	25	30	40	50	60	70	70
MAX. BORE Ø S3 H7	17	20	30	35	40	3	80	60

- PARTLIST :**
1. CLUTCH MAGNET BODY.
  2. ROTOR.
  3. CLUTCH COIL.
  4. BEARING.
  5. ARMATURE PLATE.
  6. FRICTION LINER.
  7. MOUNTING BRACKET.
  8. ARMATURE PLATE WITH BACK PLATE.
  9. ARMATURE PLATE WITH BACK PLATE SUITABLE TO MOUNT PULLEY.

ALL DIMENSIONS ARE IN MM.  
ALTERNATIONS RESERVED.

STANDARD BORES : 11,14,19,20,24,  
28,32,34,38,42,48,55,60,70  
STANDARD VOLTAGES : 24 VDC, 96  
VDC, 190 VDC.  
LEAD WIRE LENGTH = 400 MM  
1 Nm = 0.102 Kgm = 0.737 lb. ft.



**PETHE INDUSTRIAL MARKETING CO. PVT. LTD.**

TITLE:

STATIONARY COIL  
BEARING MOUNTED CLUTCH

69, S.K. BOLE ROAD, DAGDIWADI, DADAR (W)  
MUMBAI - 400 028