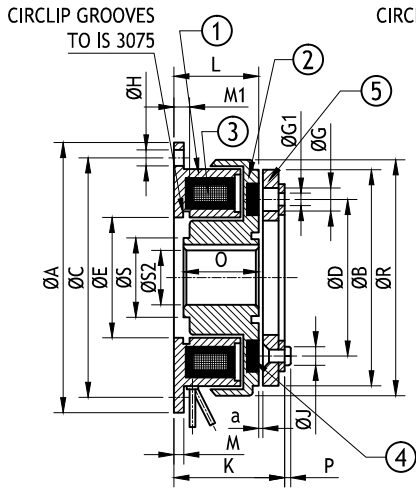
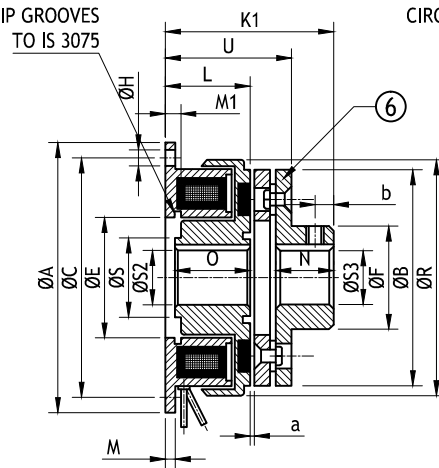


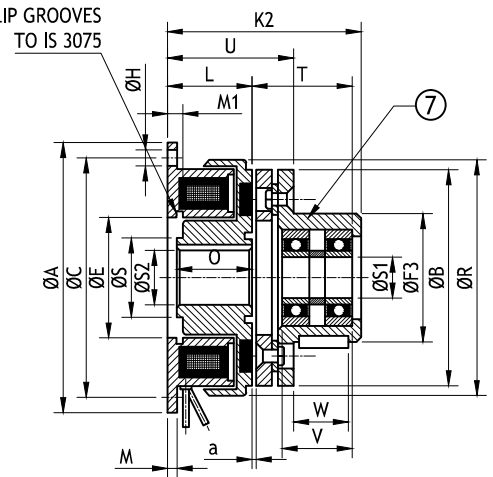
ELECTRO MAGNETIC STATIONARY COIL - FLANGE MOUNTED CLUTCH



DESIGN 1.1



DESIGN 2.1



DESIGN 4.1

MODEL :	P 63	P 80	P 100	P 125	P 160	P 200	P 250
TORQUE (NM)	7	14	28	55	110	220	440
MAX. SPEED (RPM)	7500	6500	5500	4500	3500	3000	2000
INPUT POWER (W) AT 20°C CLUTCH	16	21	28	36	51	69	85
Ø A h8	80	100	125	150	190	230	290
Ø B	63	80	100	125	160	200	250
Ø C	72	90	112	137	175	215	270
Ø D	46	60	76	95	120	158	210
Ø E H8	35	42	52	62	80	100	125
Ø F	28	33	43	50	66	84	106
Ø F 3 k6	38	45	55	64	75	90	115
Ø G	6.3	8	10.5	12	15	18	22
Ø G 1	3 x 3.1	3 x 4.1	3 x 5.1	3 x 6.1	3 x 8	3 x 10.2	4 x 12.2
Ø H	4 x 4.5	4 x 5.5	4 x 6.6	4 x 6.6	4 x 9	4 x 9	4 x 11
Ø J	3 x 5.5	3 x 7	3 x 9	3 x 10	3 x 13	3 x 16	4 x 20
K	28	31	35.9	40.5	46.5	55.4	63.9
K 1	43	51	60.9	70.5	84.5	103.4	118.9
K 2	51	60	70.9	86.5	103.5	125.4	144.9
L	24	26.5	30	33.5	37.5	44	51
M	2	2.5	3	3.5	4	5	6
M 1	3.5	4.3	5	5.5	6	7	8
N	15	20	25	30	38	48	55
O	22	24	27	30	34	40	47
P	1.6	1.8	2.4	2.8	3.2	4	4.3
Ø R	68	85.5	107	134.5	170	214.5	266.5
T	22	30.5	37.9	50	63	78.4	88.9
U	31.5	35	40.9	46.5	53.5	64.4	74.9
V	20	23.5	30.5	42	54	64	76
W	17	22	26.5	36.5	44.5	53.5	64
a	0.2	0.2	0.2	0.3	0.3	0.5	0.5
b	5	6	6	10	10	15	20
Ø S	23	28.5	40	45	62	77	100
Ø S 1	12	15	20	25	30	40	45
MAX. BORE Ø S2 H7	17	20	30	40	50	65	80
MAX. BORE Ø S3 H7	17	20	30	35	40	60	80

PARTLIST

1. CLUTCH MAGNET BODY.
2. ROTOR.
3. CLUTCH COIL.
4. FRICTION LINER.
5. ARMATURE PLATE.
6. ARMATURE PLATE WITH BACK PLATE.
7. ARMATURE PLATE WITH BACK PLATE SUITABLE TO MOUNT PULLEY.

ALL DIMENSIONS ARE IN MM.
ALTERNATIONS RESERVED.

STANDARD BORES : 11,14,19,20,24,
28,32,34,38,42,48,55,60,70
STANDARD VOLTAGES : 24 VDC, 96
VDC, 190 VDC.
LEAD WIRE LENGTH = 400 MM
1 Nm = 0.102 Kgm = 0.737 lb. ft.

PETHE INDUSTRIAL MARKETING CO. PVT. LTD.



TRUSTED SINCE 1965

TITLE:

ELECTRO MAGNETIC STATIONARY COIL
FLANGE MOUNTED CLUTCH

69, S.K. BOLE ROAD, DAGDIWADI, DADAR (W)
MUMBAI - 400 028